



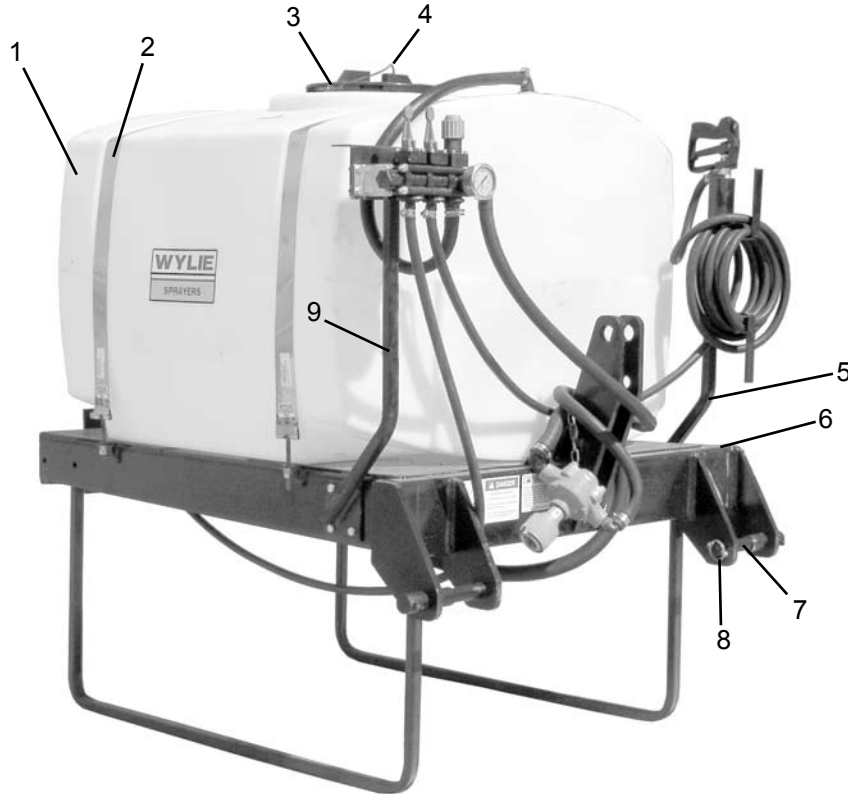
“Defender” 3PT Sprayer LGS-50 Sprayer Utility Skid Sprayer Repair Parts

“Defender” Tank and Frame Assembly	22
“Defender” Pump and Control Plumbing	23
LGS-50 Tank and Frame Assembly	24
LGS-50 Pump and Control Plumbing	25
Utility Skid Tank and Frame Assembly	26
Utility Skid Pump and Control Plumbing.....	27
20’ & 27’ Flat Fold Boom	28
10’ & 14’ Flat Fold Boom	29
Boomless Nozzle Kit.....	29
Hypro 7560 Pump.....	30
Hypro Manual Control Valve.....	31
Hypro Trigger Gun.....	32
Flojet Quad Pump.....	33



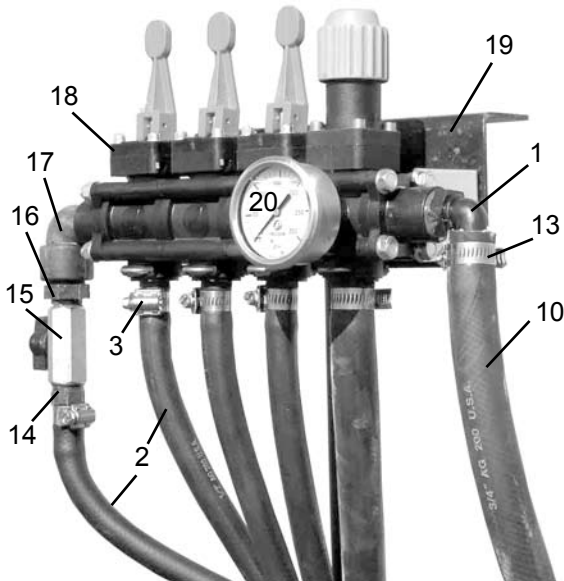
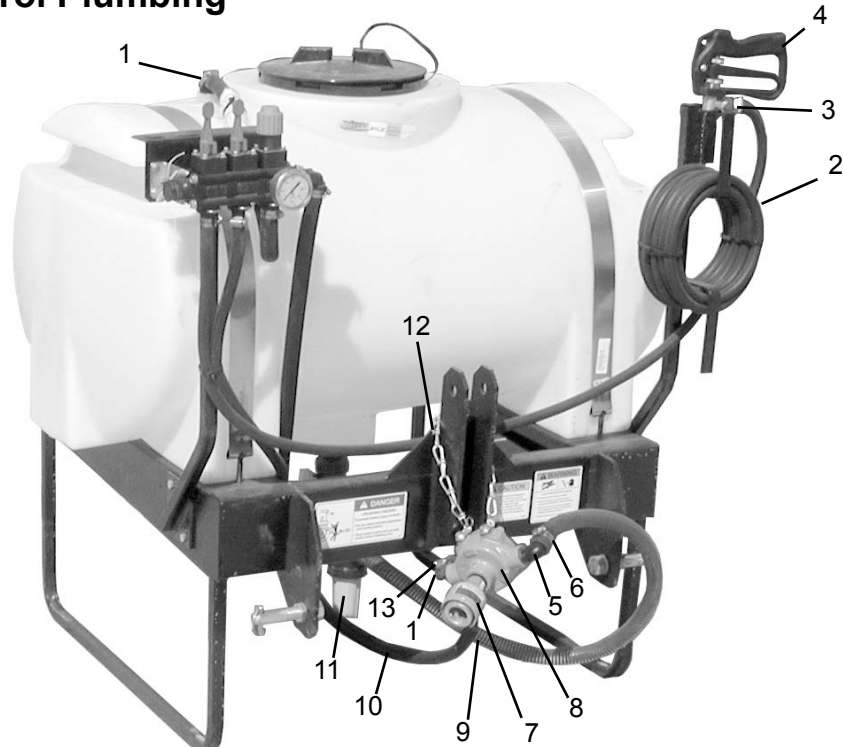
Tank & Frame Assembly

W4308 Defender 50 Gallon Tank/Frame
W4309 Defender 100 Gallon Tank/Frame
W4310 Defender 200 Gallon Tank/Frame

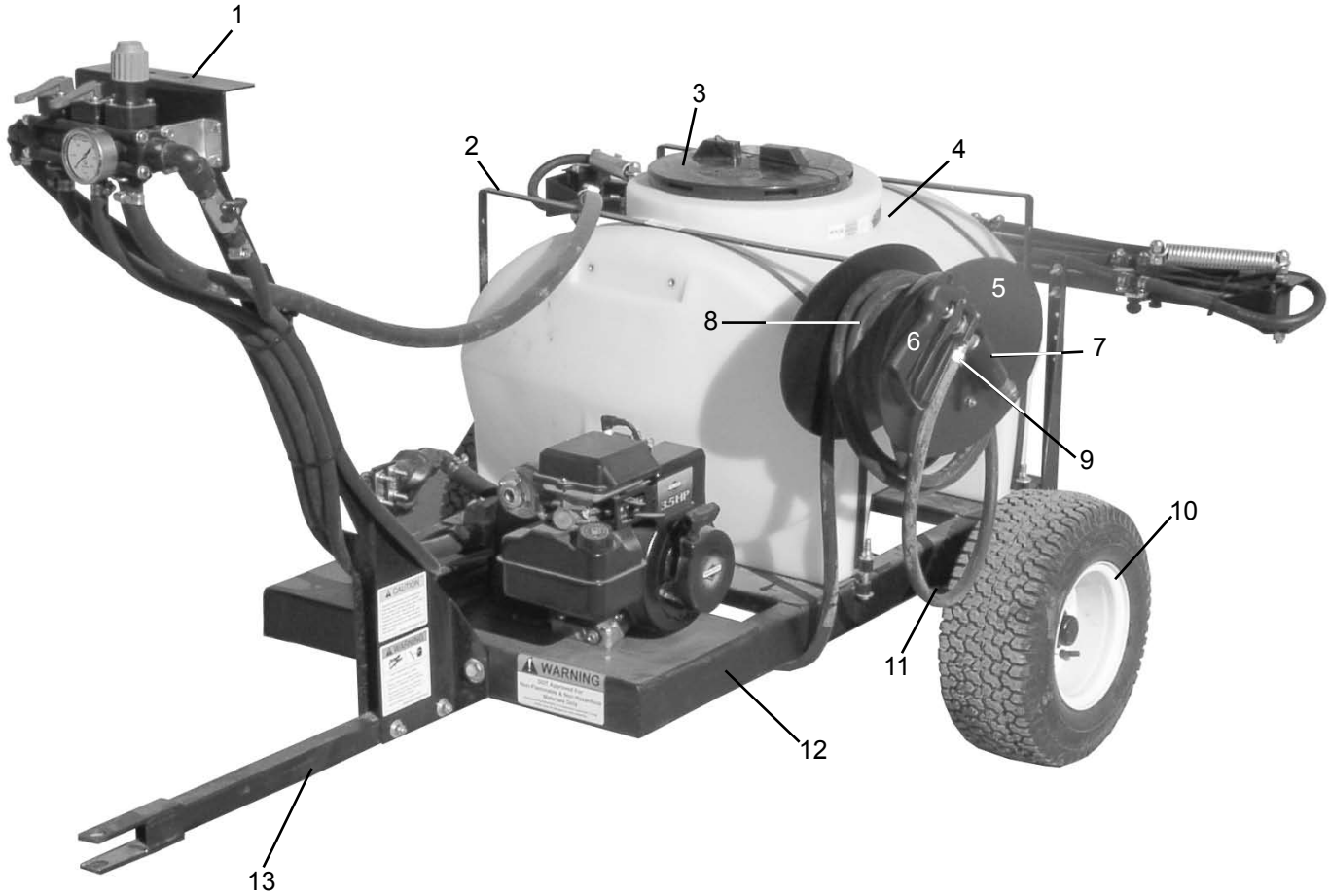


No.	Part No.	Description	No.	Part No.	Description
1	T200RNK	200 gal. Rectangular Tank	6	W431001	Frame, 200 gal.
	T100LGNK	100 gal. Lawn & Garden Tank		W430901	Frame, 100 gal.
	T50LGDNK	50 gal. Lawn & Garden Tank		W430801	Frame, 50 gal.
2	W720138	"#63-T-2" x 98", 200 gal. Tank Band"	7	W430508	Cat. II/III Pin (200 gal.)
3	TL102	"10" Lid (200, 100 gal.)"		LA-1	Cat. I Pin (100, 50 gal.)
	354010	"6" Female Lid (50 gal.)"	8	716-14QP	"7/16" x 1 3/4" Safety Pin"
4	V20207A	Lanyard Tie Down (200, 100 gal.)	9	W430902	Control Stand (200, 100 gal.)
5	W430903	Gun Holder (200, 100 gal.)		W430803	Control Stand (50 gal.)
	W430804	Gun Holder (50 gal.)			

Pump and Control Plumbing

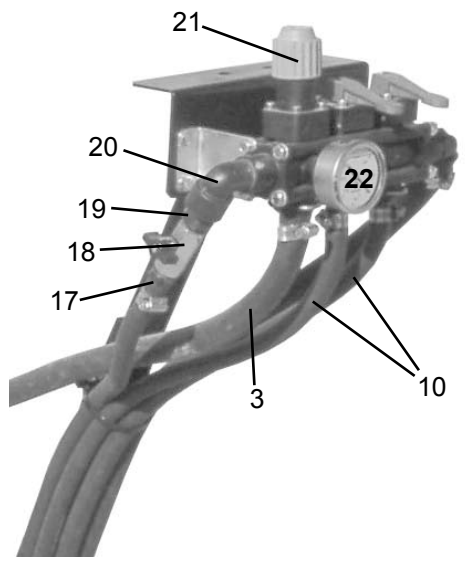
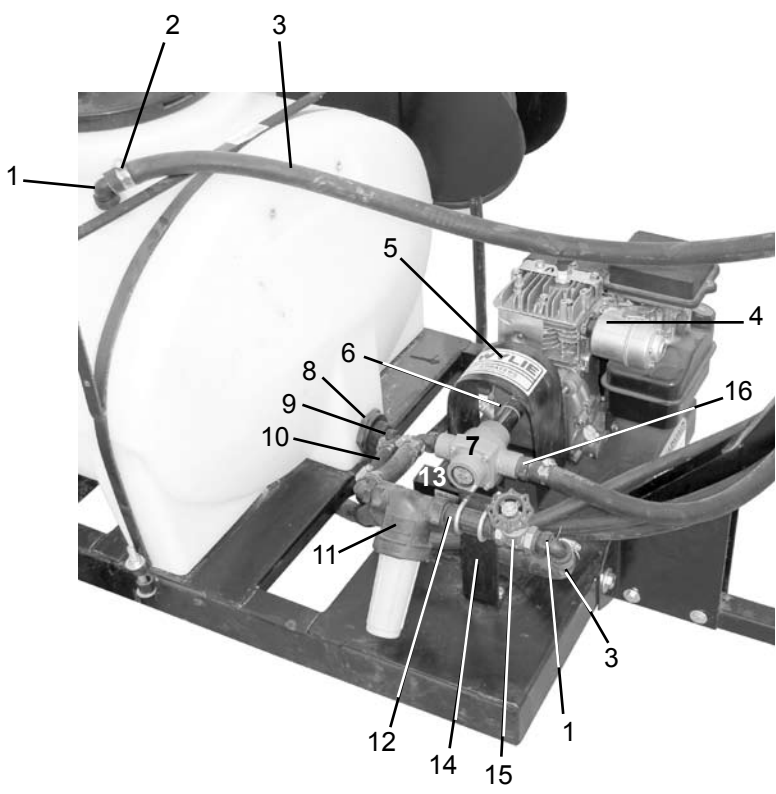


No.	Part No.	Description
1	HB075-90	3/4" Hose Barb, 90°
2	2-200-050	1/2" Rubber Hose
3	1008	1/2" Hose Clamp
4	3381-0043	Spray Gun, 600 PSI
5	HB100/075-90	1" MPT x 3/4" Hose Barb, 90°
6	1016	1" Hose Clamp
7	1321-0012	Multi-speed PTO Quick-Coupler, 1 3/8"
8	6500C	6-Roller Hypro Pump, Cast Iron
	6500XL	6-Roller Hypro Pump, Silver Cast
9	7-090-100	1" PVC Hose
10	2-200-075	3/4" Rubber Hose
11	LST100-50	Strainer, 1", 50 mesh
	UV-100-FP	1" Single Union Ball Valve (not shown)
12	038-1491	Chain
13	1012	3/4" Hose Clamp
14	HB-050	1/2" Hose Barb
15	90-FFB-12	1/2" Brass Ball Valve
16	RN075-050	3/4" x 1/2" Reducing Nipple
17	SL075-90	3/4" Street "L"
18	463CPV18K	Double Control Assembly
	463CPV16K	Triple Control Assembly
19	W430902	Control Stand (200, 100 gal.)
	W430803	Control Stand (50 gal.)
20	WGG300C	2 1/2" Dry Pressure Gauge, 1/4" Stem, 300 PSI

Tank & Frame Assembly
**LGS-50 Trailer Sprayer
W5503 Trailer Assembly**


No.	Part No.	Description	No.	Part No.	Description
1	W550304	Control Stand	8	2-200-050	1/2" Rubber Hose
2	W540202	Tank Band	9	1212-BR	1/2" MPT x 1/2" Hose Barb, Brass
3	LID10	10" Tank Lid	10	39787	16x6.5-8 Turf Tire & Wheel Assy
4	T50LGDNK	50 Gal. L&G Tank w/sump	11	W550302	LGS-50 Axle
5	W540105	Hose Wrap	12	W550301	Frame
6	3381-0043	Spray Gun, 600 psi	13	W550303	Tongue
7	W540203	Spray Gun Holder			

LGS-50 Pump & Control



No.	Part No.	Description	No.	Part No.	Description
1	HB075-90	3/4" Hose Barb, 90°	11	124A-3/4-PP	3/4" Strainer
2	1012	3/4" Hose Clamp	12	NIP075-4	Nipple, 3/4" x 4
3	2-200-075	3/4" Rubber Hose	13	W910109	Roller Pump Bracket
4	912021016E1	3.5 hp Briggs & Stratton Engine	14	W520105	Strainer Mount
5	W910108	Drive Line Cover	15	BV-034	3/4" Brass Gate Valve
6	1320-0015	Drive Coupler	16	HB-075	Hose Barb, 3/4"
7	4101C	Hypro Cast Iron Pump, 4 Roller	17	HB-050	Hose Barb, 1/2"
	4101XL	Hypro Silver Cast Pump, 4 Roller	18	90-FFB-12	1/2" Ball Valve, (opt.)
	6500C	Hypro Cast Iron Pump, 6 Roller	19	RN-075-050	Reducing Nipple, 3/4" x 1/2"
8	TF050VOR	1/2" Bulkhead Tank Fitting	20	SL075-90	Street "L", 3/4"
9	HB050-90	1/2" Hose Barb, 90°	21	463CPV18	Double Control Ass'y.
10	2-200-050	1/2" Rubber Hose	22	WGG300C	Liquid Filled Gauge



Utility Skid Sprayer

W5402 50 Gallon Skid Sprayer

W5401 100 Gallon Skid Sprayer

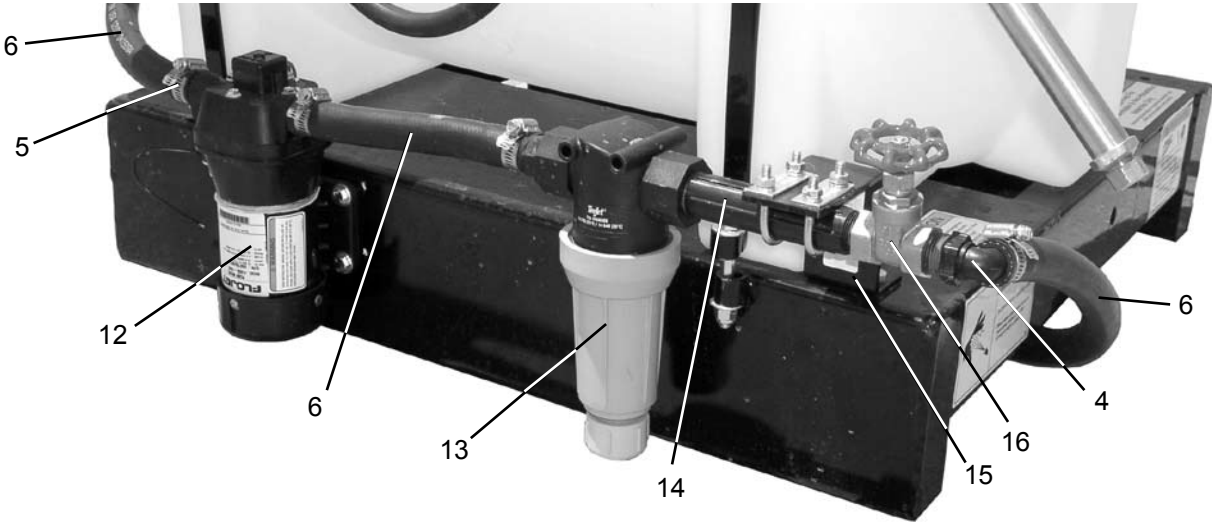
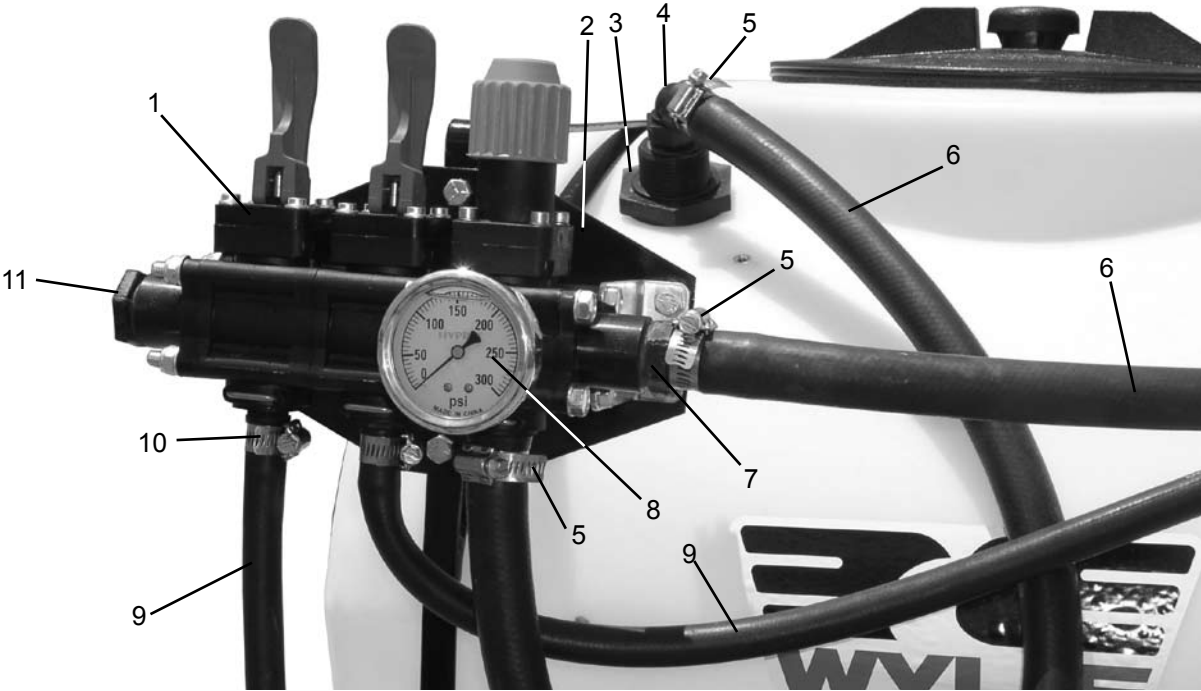


No.	Part No.	Description	No.	Part No.	Description
1	W540105	Hose Wrap	6	TL102	10" Lid
2	W540202	Tank Band (50 Gal.)	7	T50LGNK	Tank (50 Gal.)
	W540102	Tank Band (100 Gal.)		T100LGNK	Tank (100 Gal.)
3	2-200-050	½" Rubber Hose	8	W540201	Skid Frame (50 Gal.)
4	3381-0043L	Gun, 600 PSI		W540101	Skid Frame (100 Gal.)
5	W540203	Gun Holder	9	W5401-TIEDOWN	Skid Tiedown Kit (not shown)

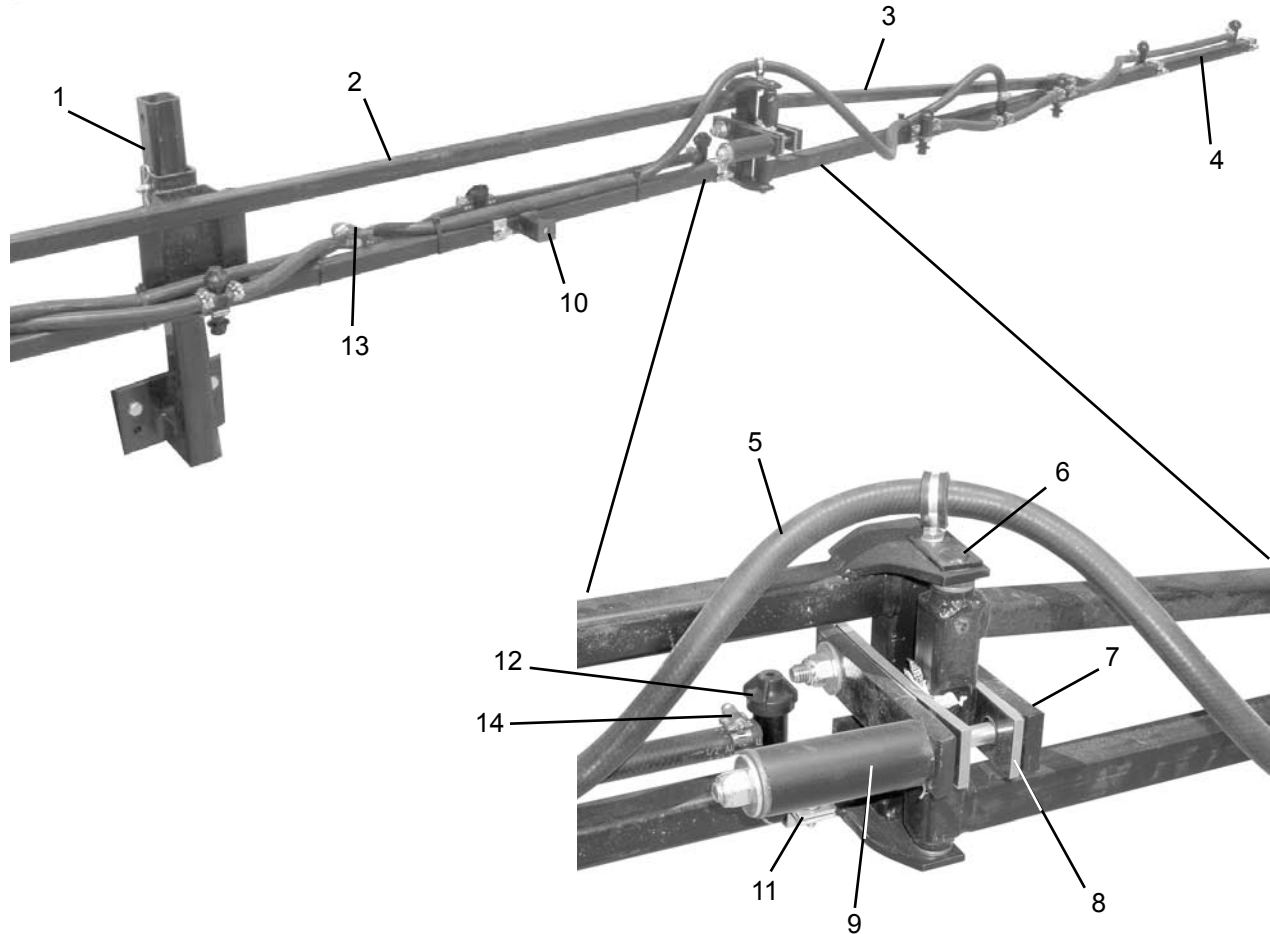


Utility Skid Sprayer

Pump, Plumbing and Control



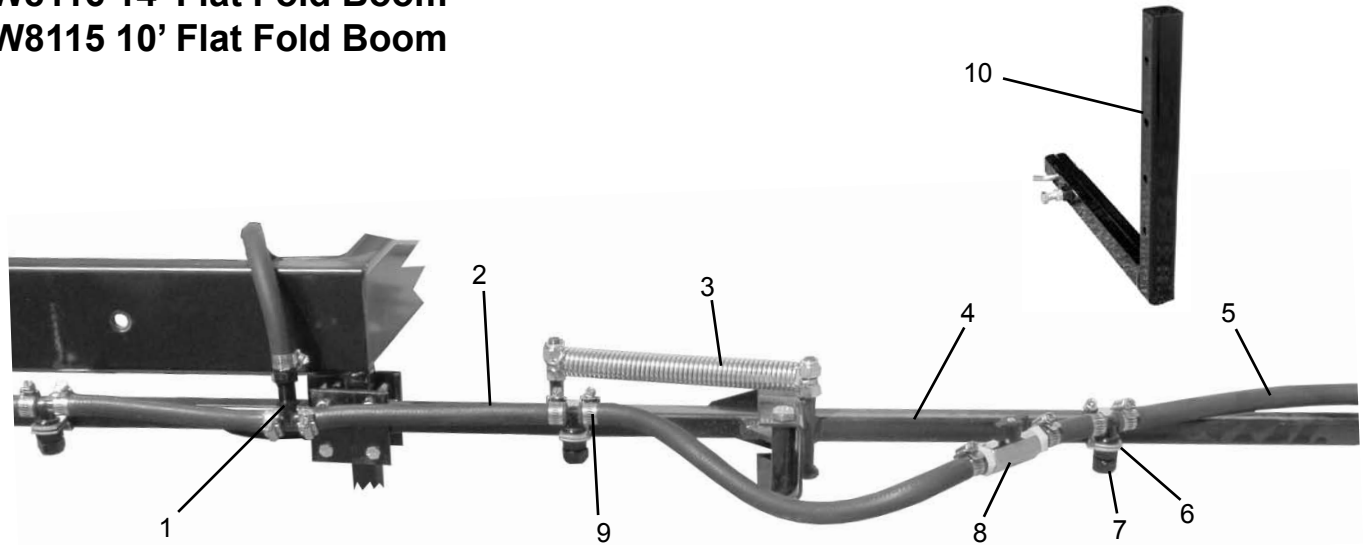
No.	Part No.	Description	No.	Part No.	Description
1	463CPV18K	Hypro Double Control Ass'y.	9	2-200-050	1/2" Rubber Hose
2	W540104	Control Valve Mount	10	1008	1/2" Hose Clamp
3	62798	3/4" Bulkhead Fitting	11	PLUG075	3/4" Plug
4	HB075-90	3/4" Hosebarb, 90°	12	4300-500	Flojet Quad Pump
5	1012	3/4" Hose Clamp	13	AA126ML-3-50	3/4" Strainer, 50 mesh
6	2-200-075	3/4" Rubber Hose	14	NIP075-6	3/4" Nipple, 6"
7	HB-075	3/4" Hosebarb	15	W520107-K	Strainer Mount, 3/4"
8	WGG300C	Liquid Filled Pressure Gauge, 1/4"	16	BV-034	3/4" Brass Gate Valve

W8113 27' Flat Fold Boom
W8112 20' Flat Fold Boom


No.	Part No.	Description	No.	Part No.	Description
1	W886903	Boom Mount, 3 pt	8	V0206	Breakaway Rub Pad
2	W811201	Center Section, 20' & 27'	9	W670204	4" Poly Spring
3	W811301	Primary Wing, 27'	10	W811206	1 3/8" Square Bumper Spring
	W811202	Primary Wing, 20'	11	QJ111SQ-1	Nozzle Body Mount Clamp, 1"
4	W811302	Wing Tip, 27'	12	22251-311-500NY	1/2" Single Hose Shank, QuickJet
	W811203	Wing Tip, 20'		22252-312-500NY	1/2" Double Hose Shank, QuickJet
5	2-200-050	1/2" Rubber Hose	13	T-1200-NY	1/2" x 1/2" x 1/2" Insert Tee
6	W811204	Primary Wing Pin	14	1008	1/2" Hose Clamp
7	W811205	Breakaway Plates			

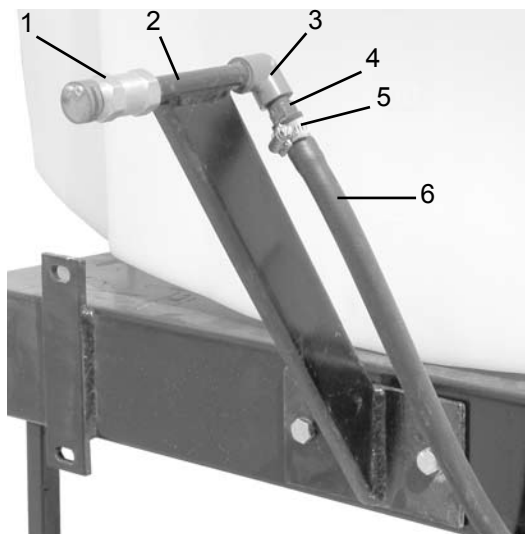


W8116 14' Flat Fold Boom
W8115 10' Flat Fold Boom



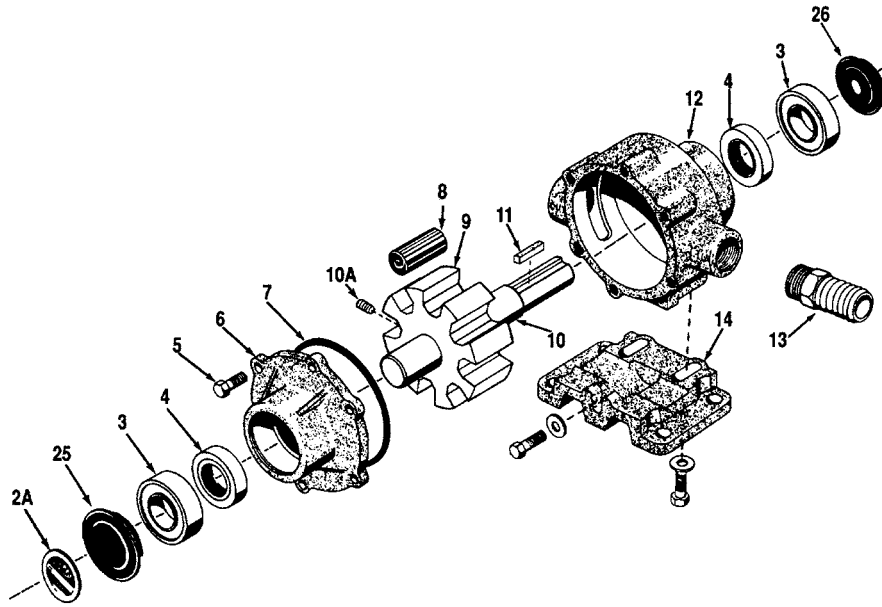
No.	Part No.	Description	No.	Part No.	Description
1	T-1200-NY	½" x ½" x ½" Insert Tee	5	2-200-050	½" Rubber Hose
2	W811501	Center Section, 10' & 14'	6	111SQ-1	Nozzle Body Mount Clamp, 1"
3	C-273	Extension Spring, 8½" OAL	7	8120-NY-540TD	½" Double Nozzle Body
4	W811502	RH Wing, 14'		8121-NY-540TD	½" Single Nozzle Body
	W811503	LH Wing, 14'	8	90-FFB-12	½" Ball Valve
	W811504	RH Wing, 10'	9	1008	½" Hose Clamp
	W811505	LH Wing, 10'	10	W8869-ATV	2" Rec. Hitch Boom Mount
				W8869-ATV-1.25	1¼" Rec. Hitch Boom Mount

87525 Boomless Nozzle Kit



No.	Part No.	Description
1	#10-NOZZLE	#10 Nozzle, Brass, 3/8 FPT
2	W430802	Boomless Nozzle Bracket
3	808-003	3/8" PVC Elbow
4	3812-NY	3/8" MPT x ½" Hosebarb
5	1008	½" Hose Clamp
6	2-200-050	½" Rubber Clamp

Hypro Models 7560C, 7560N and 7560XL



IMPORTANT:
 When ordering parts, give PART NUMBER and PART DESCRIPTION. Reference Numbers are used ONLY to point out parts in the drawing and are NOT to be used as ordering numbers.

Ref. No.	Qty. Req'd.	Part Number	Description
2A	1	6031-0258	Name Plate (Specify Pump Model #)
3	2	2008-0001	Sealed Ball Bearing
4	2	2112-0003	Viton Seal (Standard)
4	2	2112-0001	Buna-N Seal (Optional)
4	2	2103-0002	Leather Seal (Optional)
5	6	2210-0004	Bolt
6	1	0204-7500C	Endplate (Cast-Iron) with seal
6	1	0204-7500N	Endplate (Ni-Resist) with seal
6	1	0204-7500X	Endplate (SilverCast) with seal
7	1	1720-0014	O-ring Gasket for Endplate
8	8	1005-0004	Super Roller (Standard)
8	8	1002-0004	Polypropylene Roller (Optional)
8	8	1052-0004	Buna-N Roller (Optional)
8	8	1055-0004	Teflon Roller (Optional)

Ref. No.	Qty. Req'd.	Part Number	Description
9	1	0308-7560C	Rotor (Cast Iron) with shaft
9	1	0308-7560N	Rotor (Ni-Resist) with shaft
9	1	0308-7560X	Rotor (SilverCast) with shaft
10	1	0500-7400	Shaft Only
10A	1	2230-0003	Set Screw
10A	1	2230-0007	Set Screw (SilverCast Only)
11	1	1610-0005	Key
12	1	0104-7500C	Body (Cast Iron) with seal
12	1	0104-7500N	Body (Ni-Resist) with seal
12	1	0104-7500X	Body (SilverCast) with seal
13	1	2404-0052	1" Hose Barb
14	1 kit	3420-0003	Base Kit — Includes: (1) Base, (3) Bolts and (3) Washers
25	1	2300-0020	Bearing Cover
26	1	2300-0022	Shaft Bearing Cover

See Page 17 for the proper coupler or adapter.

Repair Parts Kit No. 3430-0343 (Universal) Consists of: (8) Ref. 8 Super Rollers, (2) Ref. 7 O-rings and (4) Ref. 4 Viton Seals of two different sizes.

Repair Parts Kit No. 3430-0376 Consists of: (8) Ref. 8 Super Rollers and (1) Ref. 7 O-Ring Gasket.

Repair Parts Kit No. 3430-0377 Consists of: (8) Ref. 8 Super Rollers, (1) Ref. 7 O-Ring Gasket, and (2) Ref. 4 Buna Seals.

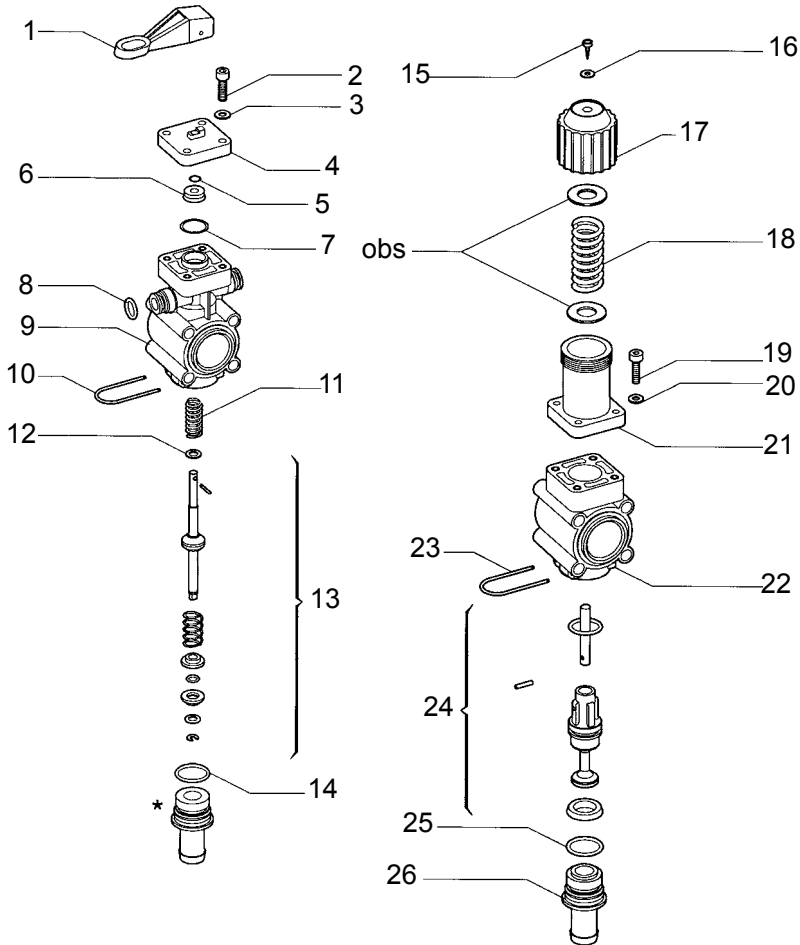
Repair Parts Kit No. 3430-0381 Consists of: (8) Ref. 8 Super Rollers, (1) Ref. 7 O-Ring Gasket, and (2) Ref. 4 Viton Seals.

Repair Parts Kit No. 3430-0154 Consists of: (8) Ref. 8 Polypropylene Rollers and (1) Ref. 7 O-Ring Gasket.

Repair Parts Kit No. 3430-0167 Consists of: (8) Ref. 8 Polypropylene Rollers, (1) Ref. 7 O-Ring Gasket, and (2) Ref. 4 Viton Seals.



Hypro 463061/463080N Manual Valve



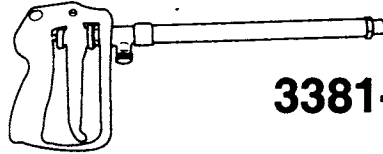
Ref. Part No.	Description	Ref. Part No.	Description		
1	463051-140	Handle	14	465005-140V	Viton Gasket
2	V1C131	Screw	15	V2B24H	Screw
3	B201EO	Washer	16	B202DO	Solenoid Washer
4	463051-130	Top Plate For Manual Valve	17	463080-090	Green Pressure Knob
5	550001-150V	Viton O-Ring	18	463080-050	Adjustment Spring
6	465900-060	Gasket	19	V1C31	Screw
7	465900-180	Motor Shaft Seal	20	B201EO	Washer
8	004352-050V	Viton O-Ring	21	463080-060	Adjustment Spring Sleeve
9	463011-010	Valve Body	22	463080-010	Valve Body
10	462300-040	Pin-Outlet HB Electro VLV	23	462300-040	Pin-Outlet HB Electro VLV
11	463051-050	Spring	24	463080-510	Valve Stem Kit
12	B202GO	Flat Washer	25	465005-140V	Viton Gasket
13	463061-550	Plunger Assembly Kit	26	463080-119	Hose Barb D.19 Inox Seat

Hypro 3381-0043 Gun

3381-0043L

SPECIFICATIONS

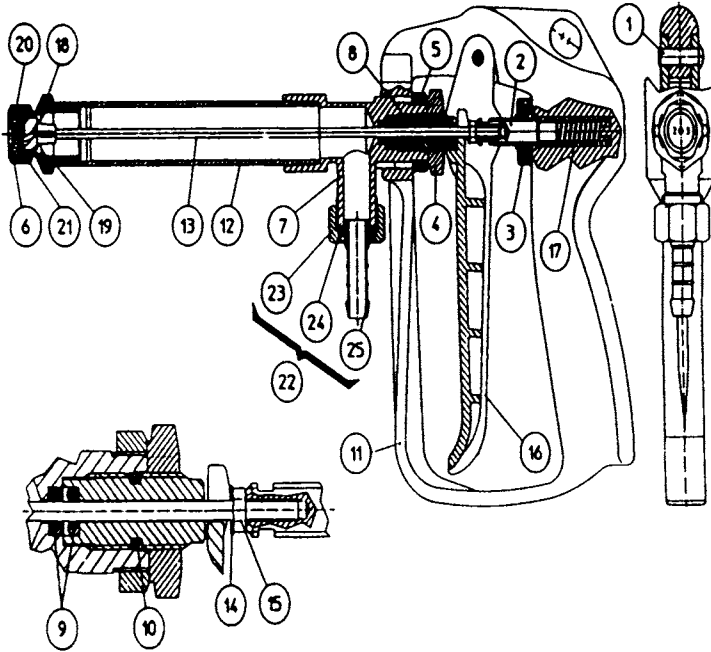
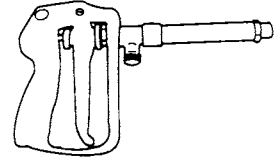
- Maximum Pressure: 600 psi
- Maximum Capacity: 11 gpm
- Barrel Length: 18"
- Port: 3/8" and 1/2" Hose Barb



3381-0043

SPECIFICATIONS

- Maximum Pressure: 600 psi
- Maximum Capacity: 11 gpm
- Barrel Length: 7"
- Port: 3/8" and 1/2" Hose Barb



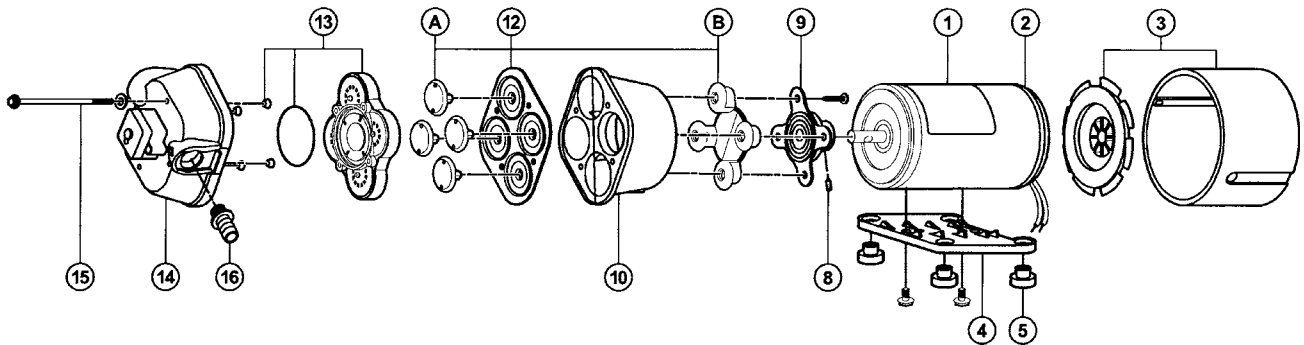
Note: When ordering parts, give the QUANTITY, PART NUMBER DESCRIPTION and COMPLETE ACCESSORY NUMBER. Reference numbers are used ONLY to identify parts in the drawing and are NOT to be used as order numbers.

Ref. No.	Qty. Req'd.	Part Number	Description
Δ1	1	9920-35.1508.4	Pin
2	1	9920-35.1608.2	Spring Retainer
3	1	9920-35.507.15	Adjusting Nut
4	1	9920-35.1505.9	Lock Nut
Δ5	1	9920-35.301.27	Nut
6	1	9920-27.605.48	Ring Nut
7	1	N/A	Housing
8	1	9920-35.1306.5	Rod Guide
Δ9	2	9920-27.602.39	O-ring
Δ10	1	9920-260.602.14	O-ring
11	1	9920-35.802.22	Handle
12	1	9920-26.1703.69	Barrel (7")
12	1	9920-35.1703.67	Barrel (18")

Ref. No.	Qty. Req'd.	Part Number	Description
13	1	9920-31.204.36	Pin (Gun 3381-0043)
13	1	9920-32.204.37	Pin (Gun 3381-0043L)
Δ14	1	9920-35.1506.20	Washer
Δ15	1	9920-27.301.28	Nut
16	1	9920-35.902.9	Trigger
Δ17	1	9920-27.1003.25	Spring
18	1	9920-35.1701.11	Head
Δ19	1	9920-68.602.10	O-ring
20	1	9920-61.1802.68	Nozzle
Δ21	1	9920-27.601.34	Gasket
22	1	9920-162.604.16	Hose Barb
23	1	9920-162.605.21	Ring Nut
Δ24	1	9920-162.601.6	Gasket
25	1	9920-162.1502.2	Fitting

Δ Included in Repair kit No. 3430-0435

Flojet Quad Pump Repair Parts



4300-500

Ref.	Part No.	Description
1	02009-027	motor 12 volt
2	20115-213	brush endbell ass'y.
3	20132-005	fan/shroud kit
4	11028-101	baseplate ass'y.
5	20132-000	grommet kit
8	20552-000	cam/bearing set screw
9	20400-002	cam/bearing kit w/set screw
10	20401-000	bearing cover
12	20403-040	diaphragm kit w/pistons & screws (Santoprene)
13	20407-020	check valve kit (Viton)
14	20404-007	upper housing kit
15	20405-002	pump screw kit w/washer & ferrules
16	20381-015	½" port kit, Viton

2009 – Wylie Manufacturing Company
Specifications Subject To Change Without Notice