

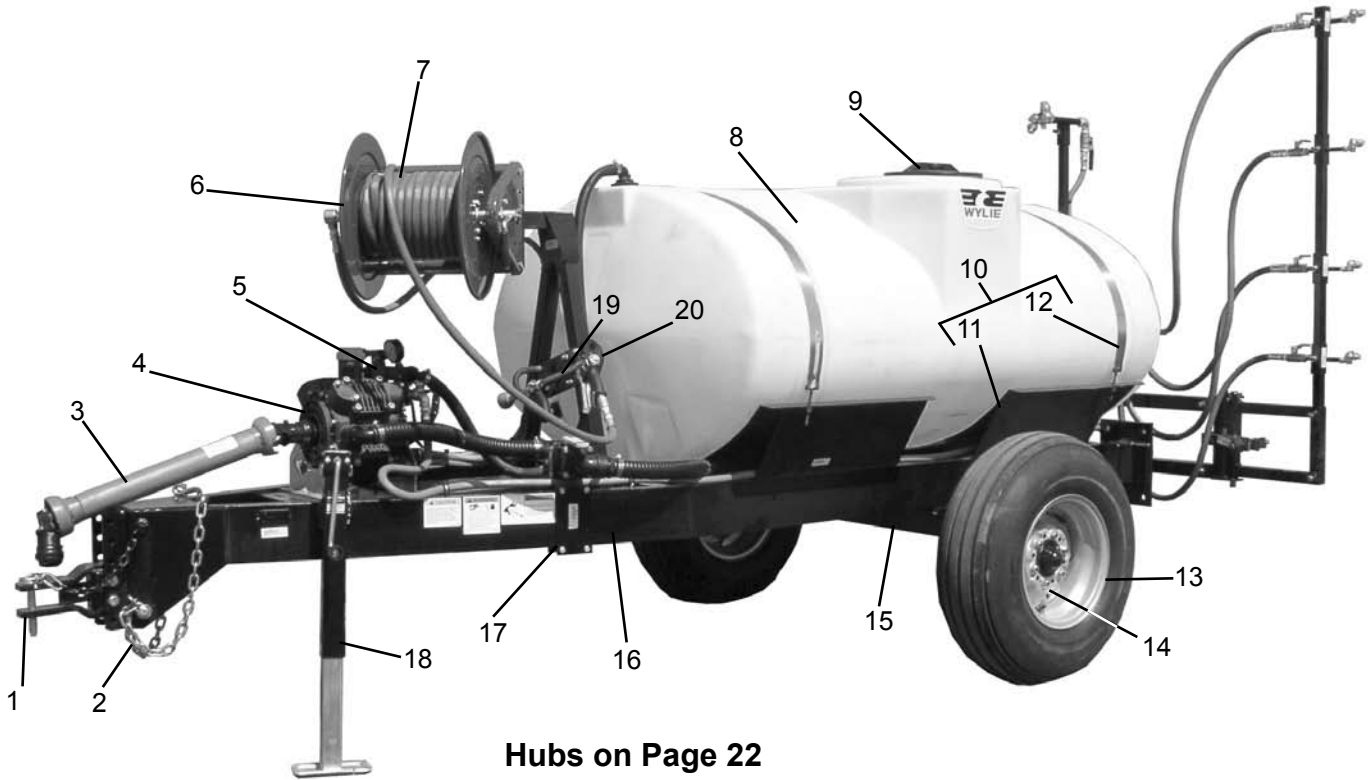


# ***Poultry House Sprayer Repair Parts***

Poultry House Sprayer Trailer .....	18
Pump Assembly .....	19
Boom Assembly .....	20
Nozzle Assembly .....	21
Axle and Tank Plumbing .....	22
CDS-John Blue DP-392 Pump .....	23
CDS-John Blue SC-1480-3 Controller .....	24
Hypro 3381-0010 Long Throw Gun .....	25
Reelcraft Hose Reel .....	26 - 27



**W3210 Poultry House Sprayer Trailer -- Solid Axle**  
**W3210-H Poultry House Sprayer Trailer -- Torsion Axle**



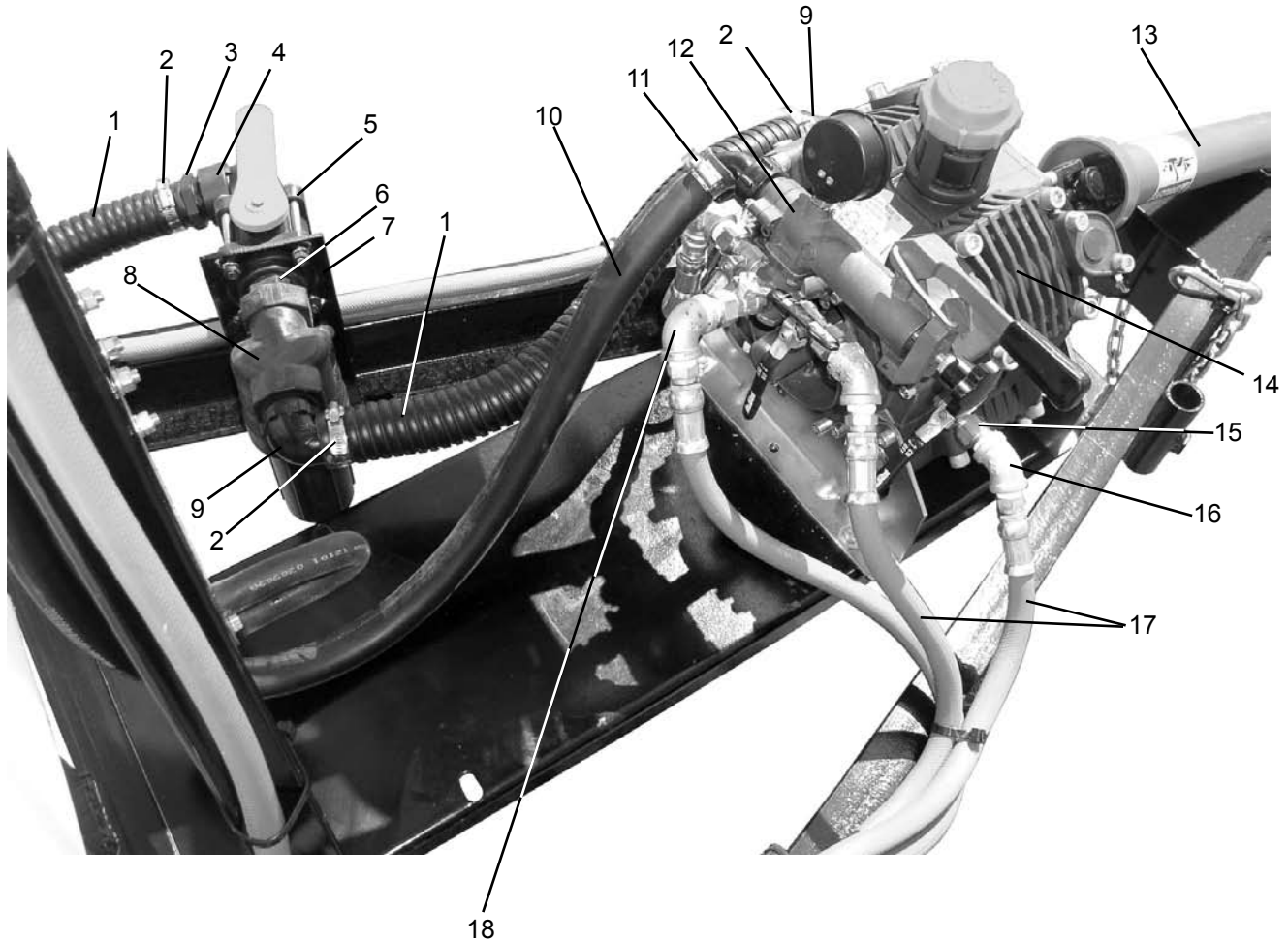
**Hubs on Page 22**

No.	Part No.	Description	No.	Part No.	Description
1	W2213-CLEVIS	Adjustable Clevis Hitch Kit	11	W713401	500 Gal. Saddle
2	CHAIN1460	Safety Chain	12	W720109	#12-T-2"x92" Tank Band
3	WM062813	Drive Shaft, 1 3/8SP x 34" Closed	13	11L x 15	8 Ply Ribbed Implement Tire
4	DP-392	CDS/John Blue DP-392 Diaphragm Pump	14	67504	Wheel 15x8, 6-6-4, 62
5	SC-1480-3	Hi-Pressure Regulator	15	W320902	Axle, Solid
6	CA32112LK	Hose Reel		EC526440660ID	Axle, 5200# Idler Torsion
7	52431	50' x 1/2" 800 PSI Hose	16	W320901	Frame
8	T500HENK	500 Gal. Elliptical Tank	17	W930108K	V-200 Valve Mount
9	TLVA10	10" Tank Lid	18	HD500-SWL-TMR-PZ-M	Side Wind Jack
10	W7134	500 Gal. Saddle Assembly	19	3381-0010	Hypro Spray Gun
			20	W930126K	Gun Holder



## Pump Assembly

### W8111 Poultry House Sprayer Pump and Boom Assembly

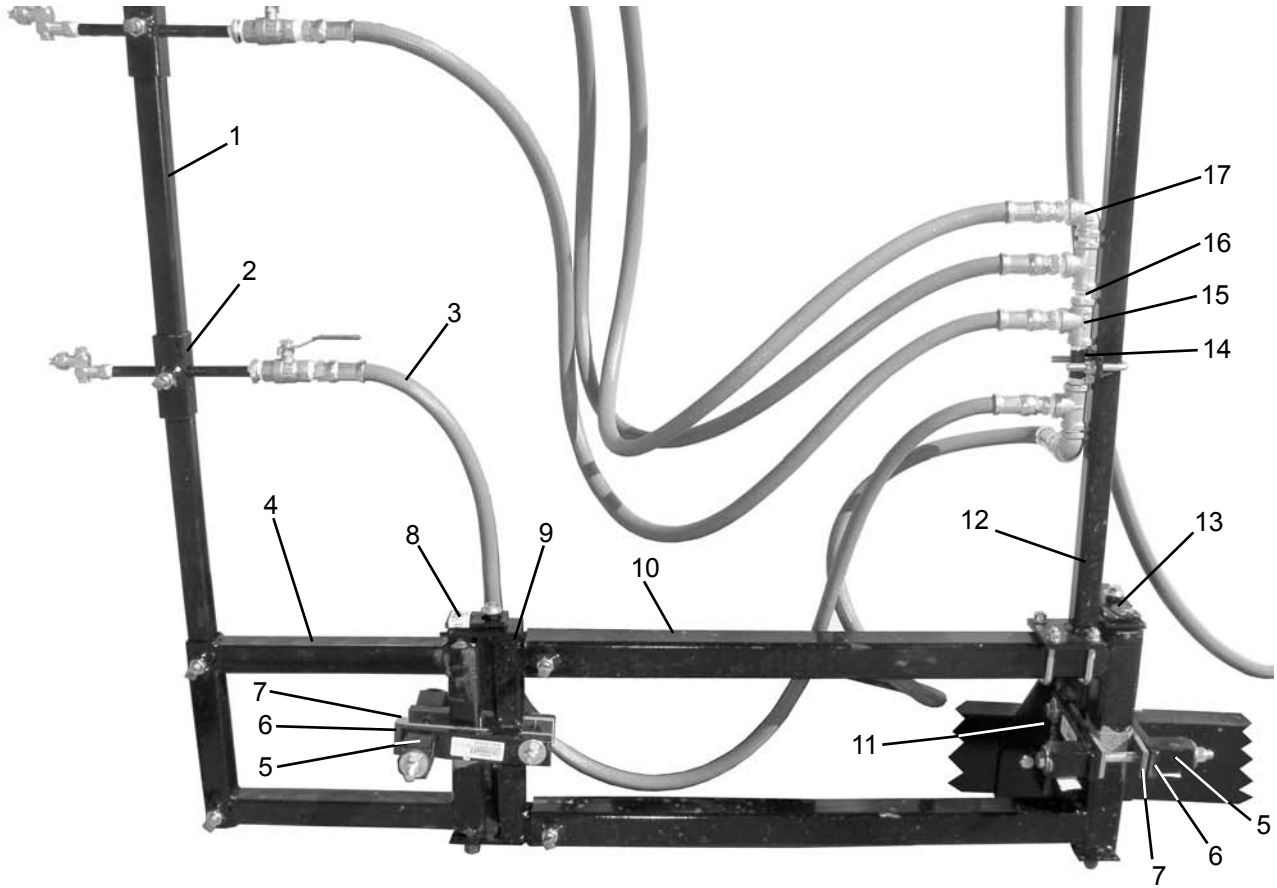


No.	Part No.	Description	No.	Part No.	Description
1	HS6053	1½" Kannaflex Hose	10	2-150-100	1" Rubber Hose
2	1028	1½" Hose Clamp	11	1016	1" Hose Clamp
3	HB150	1½" Hose Barb	12	SC-1480-3	Hi-Pressure Regulator
4	SL150-90	1½" Street L	13	WM062813	Drive Shaft, 1 3/8SP x 34" Closed
5	V-150	1½" Ball Valve	14	DP-392	CDS/John Blue DP-392 Diaphragm Pump
6	NIP150-SH	1½" Short Nipple	15	BR12222	Brass Male NPT x FBSPP O-ring
7	W930108K	Valve Mount	16	45L-12G	½" 45 Galv. Elbow
8	LST150-50	1½" T Strainer	17	3-800-050	½" High Pressure Hose
9	HB150-90	1½" Hose Barb, 90°	18	90L-12G	½" 90 Galv. Elbow



**Boom Assembly**

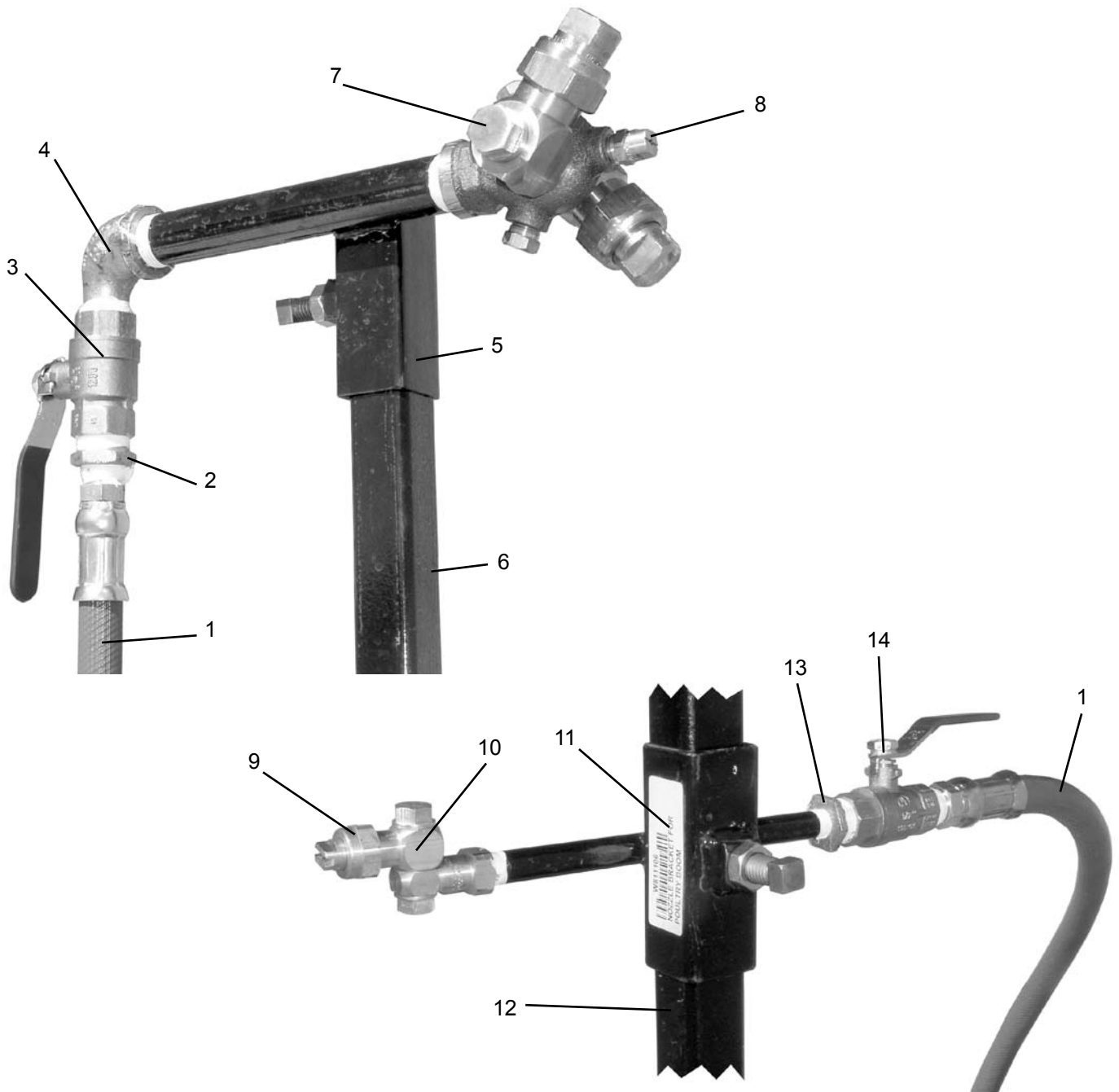
**W8111 -- Poultry House Sprayer Pump & Boom Assembly**



No.	Part No.	Description	No.	Part No.	Description
1	W811117	Upright Arm	10	W811112	Swing Arm
2	W811106	Nozzle Bracket	11	W811111	Mount Bracket For Swing Arm
3	3-800-050	½" High Pressure Hose	12	W811121	Center Nozzle Support
4	W811114	Breakaway Arm	13	W811115	Pin - Swing Arm
5	W811118	2" Sq. Breakaway Spring	14	W811110	Manifold Bracket
6	W860527	Pad, ½T, 9/16D, 5 5/8 BC	15	TEE-12G	½" Galv. Tee
7	V0124	Breakaway Rub Pad	16	NP12-CLOSEG	½" Galv. Close Nipple
8	W842028	Wing Tip Pin, 13½"	17	90L-12G	½" Galv. 90 Elbow
9	W811113	Slide Arm			

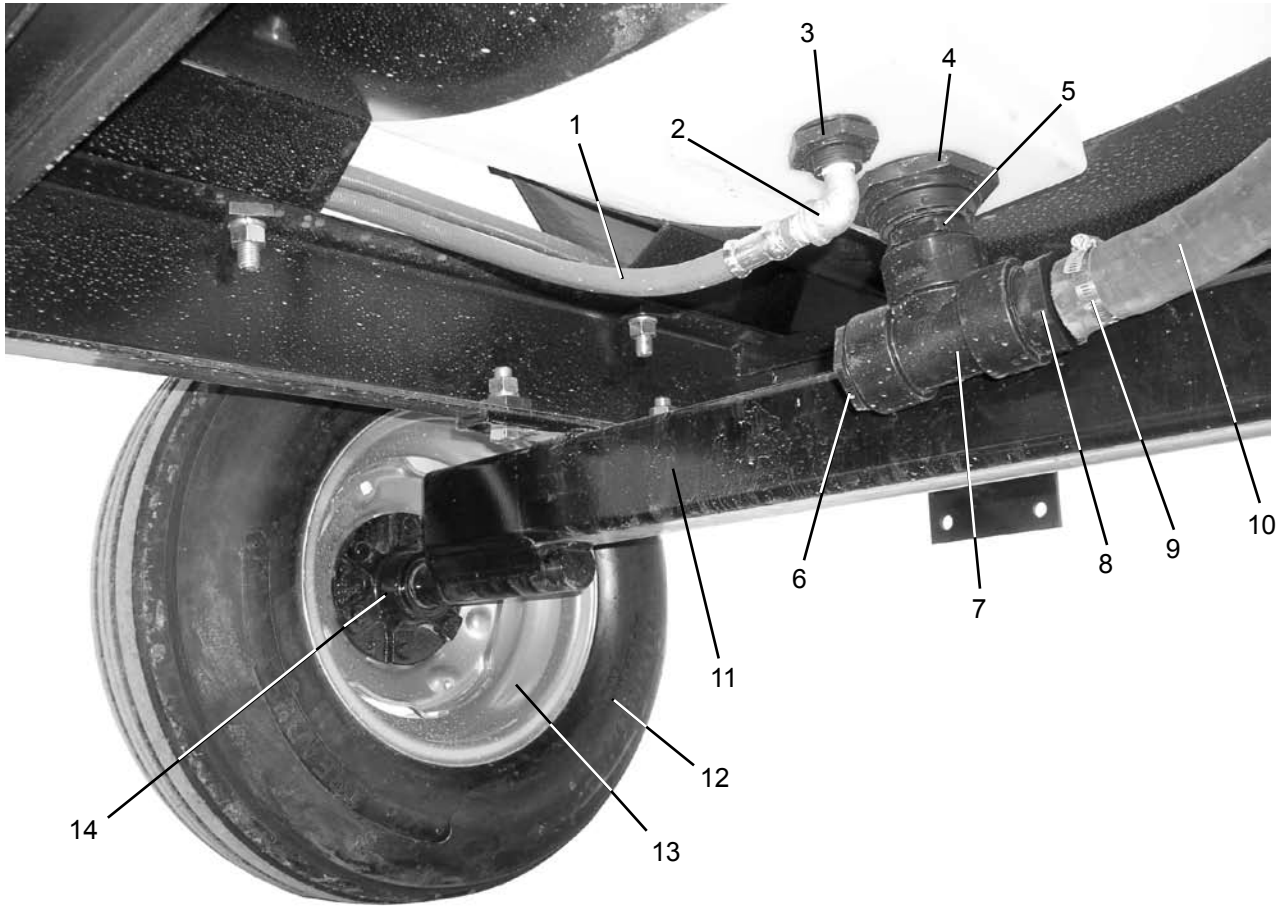


## Nozzle Assemblies W8111 -- Poultry House Sprayer Boom & Plumbing



No.	Part No.	Description	No.	Part No.	Description
1	3-800-050	1/2" High Pressure Hose	8	H1/4U-0520HE-BR	Veejet Nozzle, Brass, 0520
2	RB-3412G	3/4" x 1/2" Galv. Reducer Bushing	9	1325-BR	Teejet Cap, Brass
3	901EBV-34	3/4" Brass Ball Valve	10	5000-1/4T	Swivel Body Assembly
4	90STL-34G	3/4" Galv. Street Elbow	11	W811106	Nozzle Bracket
5	W570301	Nozzle Slip Single	12	W811117	Upright Arm
6	W811121	Center Nozzle Support	13	RB-1214G	1/2" x 1/4" Galv. Reducer Bushing
7	4418-3/4-2TOC20	Boomjet Nozzle, Brass	14	901EBV-12	1/2" Brass Ball Valve

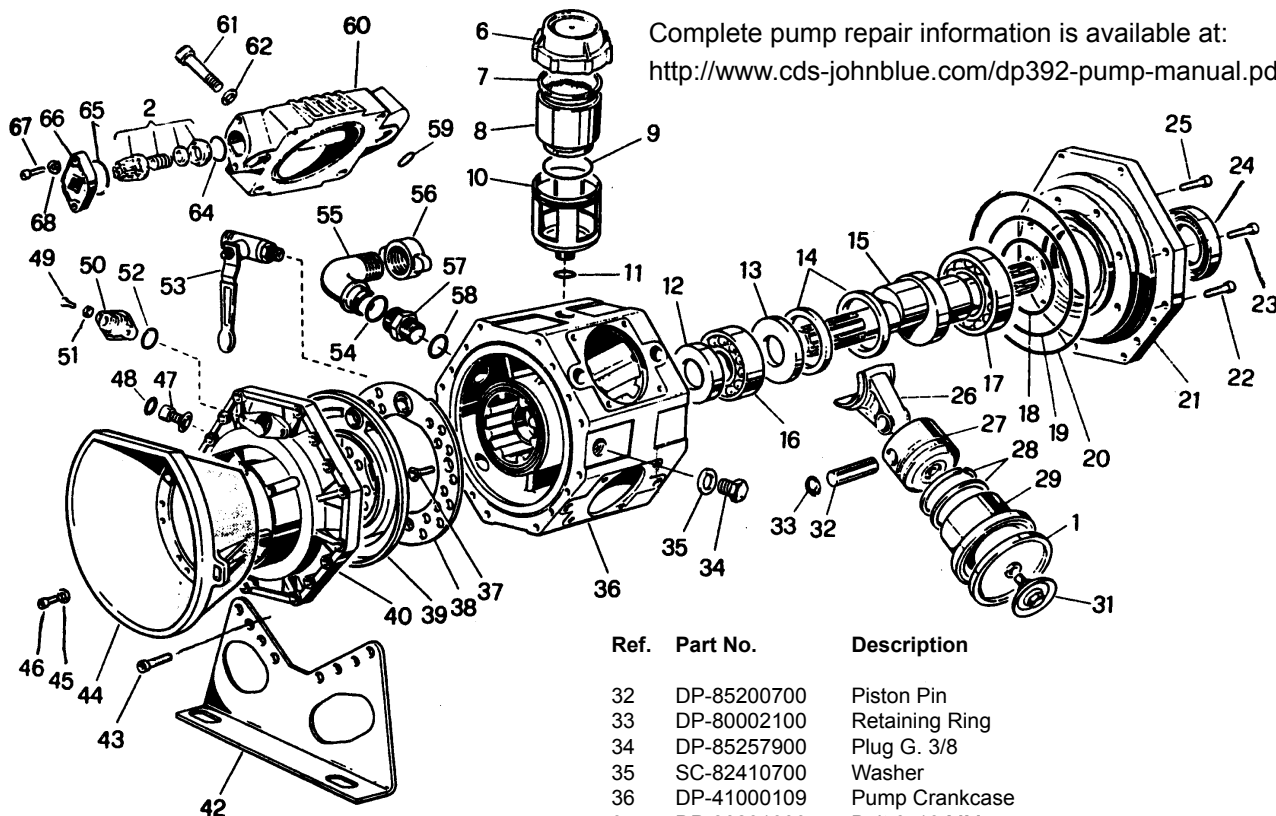
## Poultry House Sprayer Axle and Tank Plumbing



No.	Part No.	Description	No.	Part No.	Description
1	3-800-050	½" High Pressure Hose		913569	Stud Bolt
2	90STL-34G	¾" Galv. Street Elbow		9129181	Lug Nut
3	60401	¾" Bulkhead Fitting		9062841	Seal
4	67150K	2" Bulkhead Fitting AV		2807220	W888 Spindle Ass'y., 15"
5	NIP200-SH	2" Poly Close Nipple		9136071	Washer
6	PLUG200	2" Poly Plug		9129521	Nut
7	TEE200	2" Poly Tee		9059368	Cotter Pin
8	HB200-150	2" Male Thread x 1½" Hose Barb	14	82660	Hub Ass'y. (torsion axle)
9	1028	1½" Hose Clamp		82660-1	Hub w/cups
10	HS6053	1½" Kannaflex Hose		25580	Inner Cone (bearing)
11	W320902	Solid Axle w/hub		15123	Outer Cone (bearing)
	EC526440660ID	5200# Torsion Axle w/hub		21-1	Dust Cap
12	11L x 15	8 Ply Ribbed Implement Tire		4759-Z	Stud Bolt
13	67504	Wheel 15x8, 6-6-4, 62		4756	Lug Nut
14	2805760	W888 Hub Ass'y. (solid axle)		22333TBN	Seal
	2805750	W888 Hub w/cups		4753	Washer
	9102641	Inner Cone (bearing)		4754	Nut
	9102591	Outer Cone (bearing)		4755	Cotter Pin
	9099050	Dust Cap			

# CDS-John Blue DP-392 Pump

Complete pump repair information is available at:  
<http://www.cds-johnblue.com/dp392-pump-manual.pdf>

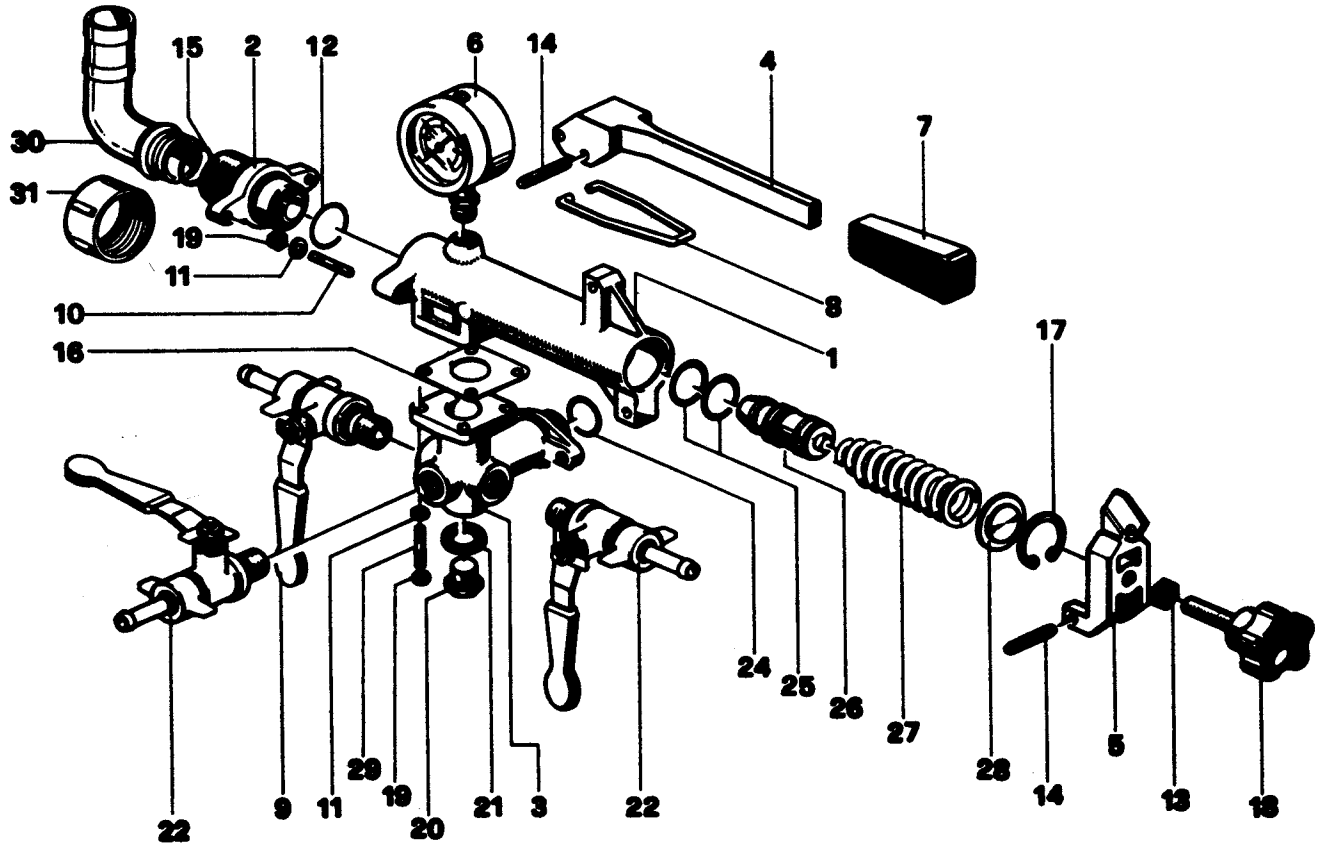


Ref.	Part No.	Description
1	DP-95004031	Piston Diaphragm
	DP-95004033	Piston Diaphragm, VITON
	DP-95004000	Piston Diaphragm, Desmopan
2	DP-35980297	Valve Assembly
6	DP-28014432	Oil Filler Cap
7	DP-41001731	Diaphragm Cushion
8	DP-41001632	Oil Filler
9	DP-80320940	O-Ring 2, 62x44, 12
10	DP-41001509	Oil Filler Bowl
11	DP-82419100	Gasket
12	DP-80214310	O-Ring
13	DP-41002361	Spacer Ring
14	DP-14001576	Connecting Rod Ring
15	DP-41003326	Crankshaft
16	DP-81286800	Bearing
17	DP-81291300	Bearing
18	DP-80329100	O-Ring 3, 53x88, 5
19	DP-80321070	O-Ring 2, 62x126, 67
20	DP-80329150	O-Ring 3, 53x177, 39
21	DP-41001909	Crankcase Cover (Suction Side)
22	DP-86275200	Bolt 8x35 MM
23	DP-86273000	Bolt 8x30 MM
24	DP-80219000	Oil Seal
25	DP-86275200	Bolt 8x35 MM
26	DP-41004711	Connecting Rod, Bronze
27	DP-37001609	Piston
28	DP-81852700	Piston Ring
29	DP-43001501	Piston Sleeve
31	DP-41983597	SS Diaphragm Washer & Bolt

Ref.	Part No.	Description
32	DP-85200700	Piston Pin
33	DP-80002100	Retaining Ring
34	DP-85257900	Plug G. 3/8
35	SC-82410700	Washer
36	DP-41000109	Pump Crankcase
37	DP-86201000	Bolt 6x10 MM
38	DP-35000308	Dampener Plate
39	DP-35004031	Diaphragm Dampener
40	DP-41000409	Cover
42	DP-41001461	Mounting Brackets
43	DP-86279600	Screw 8x40 MM
44	DP-31146832	Shield (optional)
45	SC-74361800	Washer (optional)
46	DP-86210800	Screw (optional)
47	DP-86160900	Air Valve
48	DP-80321300	O-Ring 3, 0x6
49	DP-86219000	Bolt 6x22 MM
50	DP-31033428	Flange G. 3/4
51	DP-84358500	Washer
52	DP-80321800	O-Ring 3, 0x22
53	DP-84554410	1/4 Turn Valve
54	DP-80320810	O-Ring 2, 62x32, 99
55	DP-84058500	90° Hose Barb
56	DP-82009000	Nut M48
57	DP-91009512	Fitting Seat
58	DP-80320810	O-Ring 2, 62x32, 99
59	DP-80320000	O-Ring 2, 62x22, 22
60	DP-35000209	Head
61	DP-86399000	Bolt 12x60 MM
62	DP-84389600	Washer
64	DP-80325100	O-Ring 3, 53x32, 93
65	DP-80326200	O-Ring 3, 53x41, 28
66	DP-35000809	End Cover
67	DP-86326500	Bolt 10x25 MM
68	DP-84387000	Washer
	DP-41989097	Pump Repair Kit
	DP-41989197	Valve Kit



CDS-John Blue SC-1480-3 Controller



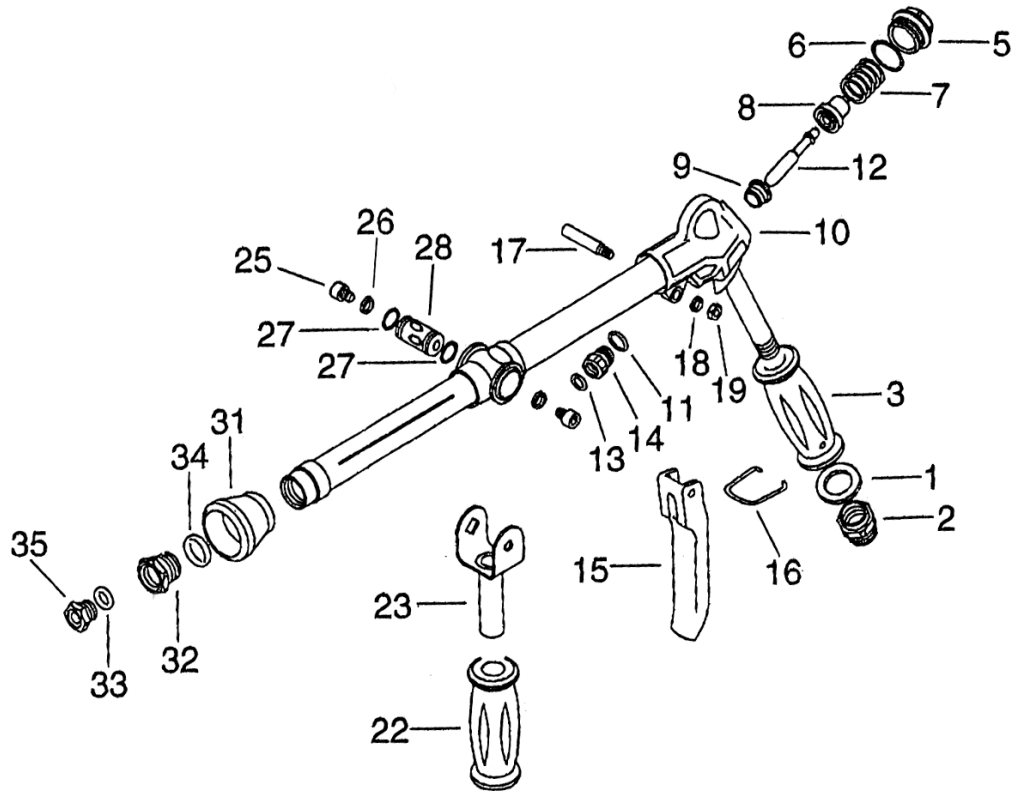
Ref.	Part No.	Description
1	SC-98018908	Valve Body
2	SC-98986297	Seat-Discharge Connection
3	SC-98019008	Valve Connection
4	SC-98019509	Pressure Adjusting Valve Lever
5	SC-98019409	Valve Arm
6	SC-83008000	Pressure Gauge (glycerine filled)
7	SC-82840450	Knob
8	SC-70009948	Tie Bolt
9	SC-84554400	Spray Valve-RH
10	SC-83800600	Stud M 5X18
11	SC-84355700	Washer D.5
12	SC-80310400	O-Ring 2X25
13	SC-81457500	Nut M8
14	SC-85118700	Spring Pin
15	SC-80320000	O-Ring Dia. 2, 62X22,22
16	SC-98019972	Gasket

Ref.	Part No.	Description
17	SC-80124600	Snap Ring
18	SC-83752800	Knob
19	SC-81452500	Nut M5
20	SC-85257900	Plug G 3/8
21	SC-82410700	Gasket 16, 5X23X1
22	SC-84554410	Spray Valve LH
24	SC-80321800	O-Ring Dia. 3X22
25	SC-80318700	Gasket 123-17, 86X2, 62
26	SC-98019743	Shutter DN23
27	SC-98019849	Spring
28	SC-98019648	Washer
29	SC-83800500	Stud M5X14
30	SC-84054200	90° Elbow Tail
31	SC-82004900	Wing Nut M34





# Hypro 3381-0010 Long Throw Gun

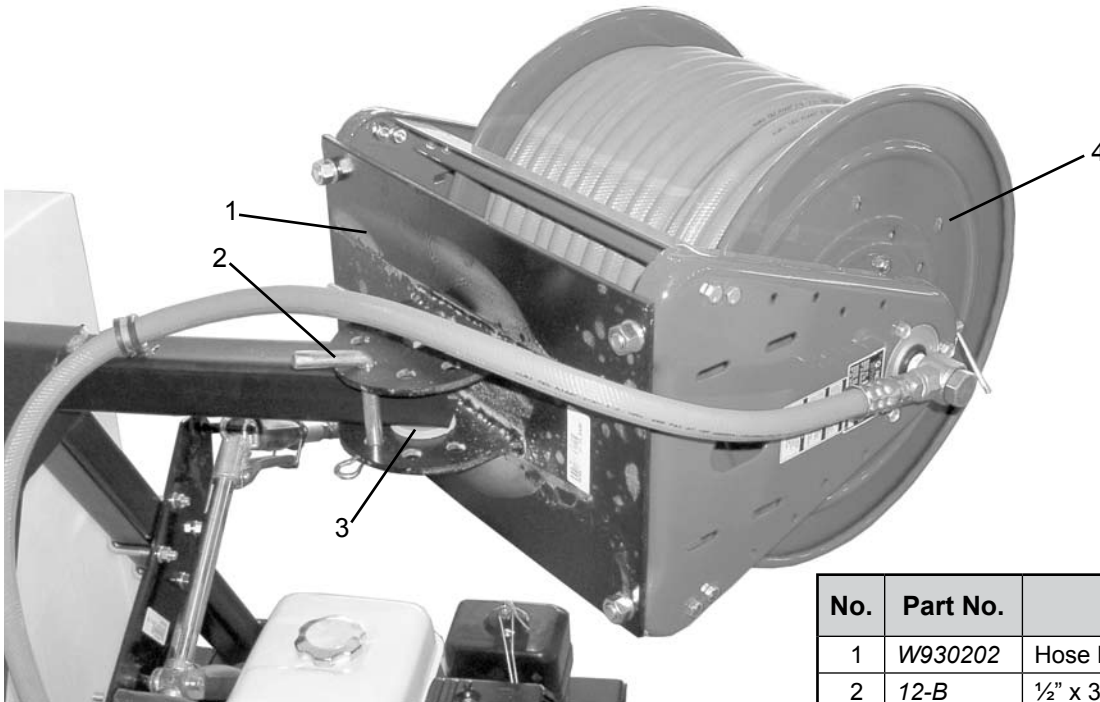


No.	Part No.	Description	No.	Part No.	Description
1	9920-232	Washer	19	9920-5587-68	Nut
2	9920-230B	Inlet Port	22	9920-192	Front Grip
3	9920-193	Hand Grip	23	9920-247	Bracket
5	9920-231	Plug	25	9920-5931	Bolt
6	*	O-Ring	26	9920-1751	Washer
7	9920-233	Spring	27	*	O-Ring
8	*	Poppet	28	9920-237	Regulator
9	*	Seat	31	9920-183	Shroud for -0010
10	9920-7.1615.3	Body, Welded Ass'y. for -0010		9920-408	Shroud for -0011
	9920-13.1615.8	Body, Welded Ass'y. for -0011	32	9920-158	Nozzle Retainer for -0010
11	*	O-Ring		9920-407	Nozzle Retainer for -0011
12	9920-239	Plunger	33	*	O-Ring
13	*	O-Ring	34	*	O-Ring
14	9920-241	Guide	35	3385-	Nozzles 3385-2300, -3000,
15	9920-246	<b>Trigger</b>			-3500, -4000, -4500, -5000
16	9920-245C	Locking Clip			-5500, -6000, -7000
17	9920-194	Pin	36	9910-110130	Hose Barb, Wing Nut, Gasket
18	9920-1751	Washer			

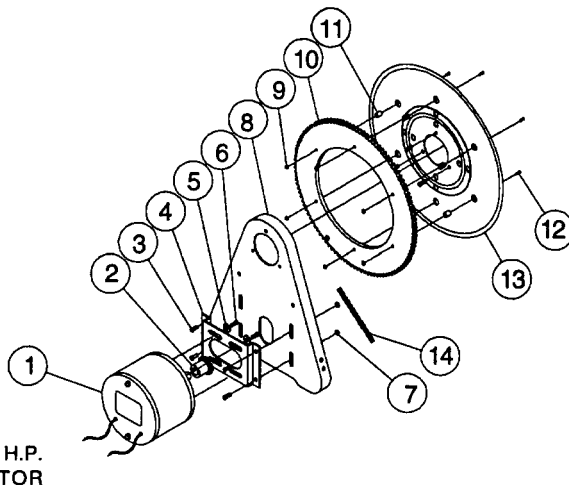


CA32112LK

Reelcraft Hose Reel Assembly



No.	Part No.	Description
1	W930202	Hose Reel Swivel Base
2	12-B	1/2" x 3" Bent Pull Pin
3	V0169	2" UHMW Washer w/1/2" Hole
4	CA32112 L	Hose Reel Assembly



PARTS COMMON TO ALL MOTORIZED 30000 SERIES HOSE REELS

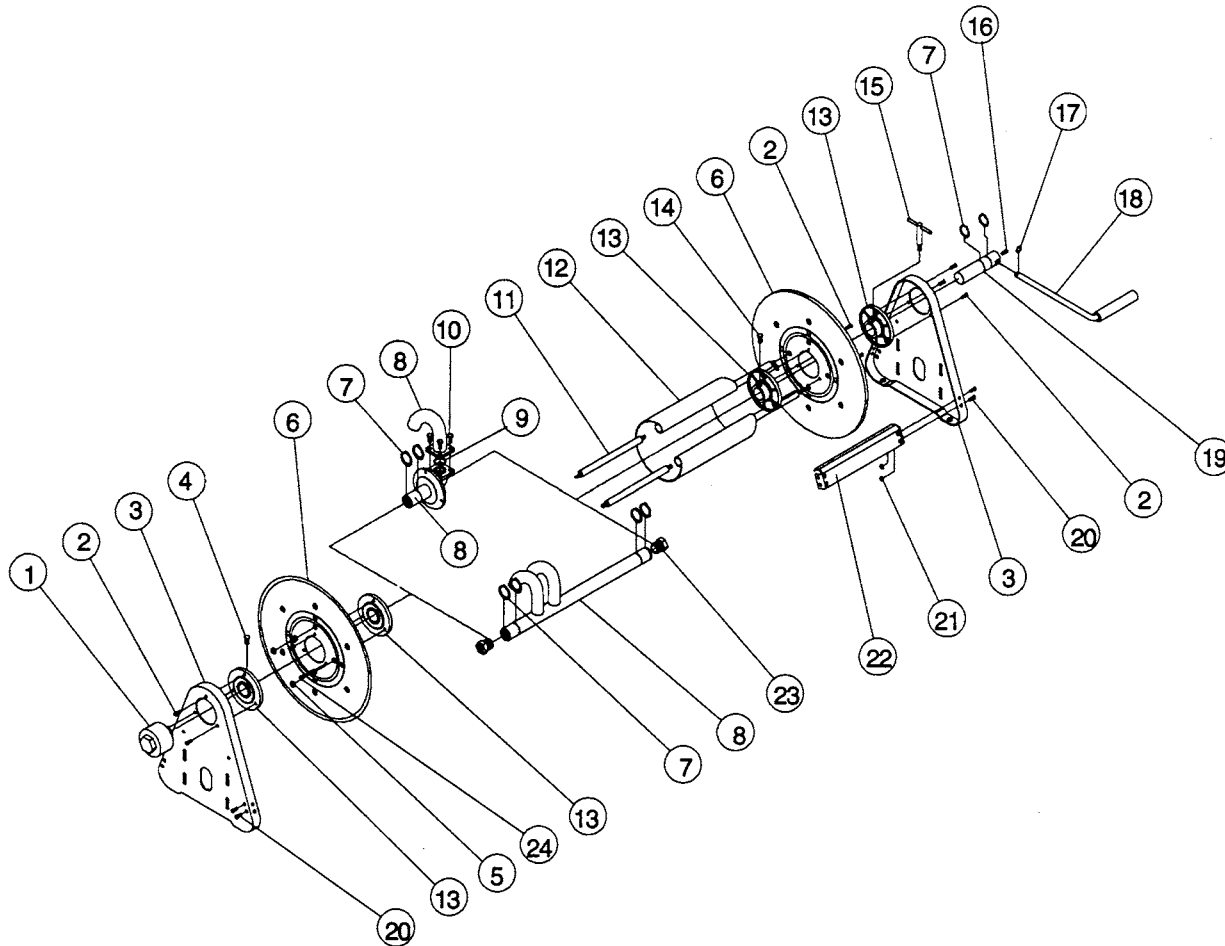
ITEM	PART NO.	DESCRIPTION	QTY.
8	260403 REF.	Side Frame	-
9	S79-3	Flange Nut 10-32	6
10	260407	Spool Gear	1
11	260410	Spacer, Gear	6
12	S27-112	Screw 10-32 x 1 1/8"	6
13	260399-3 REF	Spool Flange	-
14	260406	Chain, Drive #35	1

PARTS COMMON TO 1/3 HORSE POWER MOTOR DRIVEN REEL (REFERENCE MODEL NUMBER SIGNIFICANCE)

ITEM	DESCRIPTION	QTY.	X12D	X24D
1	Drive Motor	1	260409	260450
2	Gear, Motor	1	260408	260408
3	Screw 5/16-18 x 5/8"	4	S2-52	S2-52
4	Bracket, Motor	1	260405	260405
5	Washer	4	300039	300039
6	Screw 5/16-18 x 5/8"	4	S2-52	S2-52
7	Lock Nut 5/16-18	4	S85-7	S85-7



# Reelcraft Hose Reel



ITEM	PART NO.	DESCRIPTION	QTY.	X 3XX06	X 3XX12	X 3XX18	X 3XX22	X 3XX28
2	S318-48	Screw, 5/16-12 x 5/8"	9					
3	260403	Side Frame	2					
5	S85-7	Nut, 5/16-18	8					
6	260399-3	Spool Flange	2					
7	300007	Snap Ring	4					
11	By Model	Tie Rod	4	260402-100	260402-200	260402-300	260402-400	260402-500
12	By Model	Spacer	4	260401-1	260401-2	260401-3	260401-4	260401-5
14	300006	Set Screw, 3/8-16x1/2"	1					
15	280109	Lock Handle Ass'y	1					
20	S2-51	Screw, 5/16-18x1/2"	8					
21	By Model	Cross Brace	2	261501-1	261501-2	261501-3	261501-4	261501-5
22	300107	Nut, 5/16-18	8					

ITEM	DESCRIPTION	QTY.	X 301XX	X 321XX	X 331XX	X 381XX
1	Swivel Assembly	1	None	600596-2	600599-2	600596-3
8	Inlet Assembly	1	600327-2	600327-1	600327-2	600327-1
9	O'Ring	1	S211-120	S211-120	S211-120	S211-120
10	Screw, 5/16-18 x 3/4"	4	S7-51	S7-51	S7-51	S7-51
13	Hub & Bushing Ass'y	3	600640	600640	600640	600640
19	Support Shaft	1	260770	260770	260770	260770
24	Screw, 1/4-20 x 5/8"	3	S2-42	S2-42	S2-42	S2-42

**2009 – Wylie Manufacturing Company**  
**Specifications Subject To Change Without Notice**